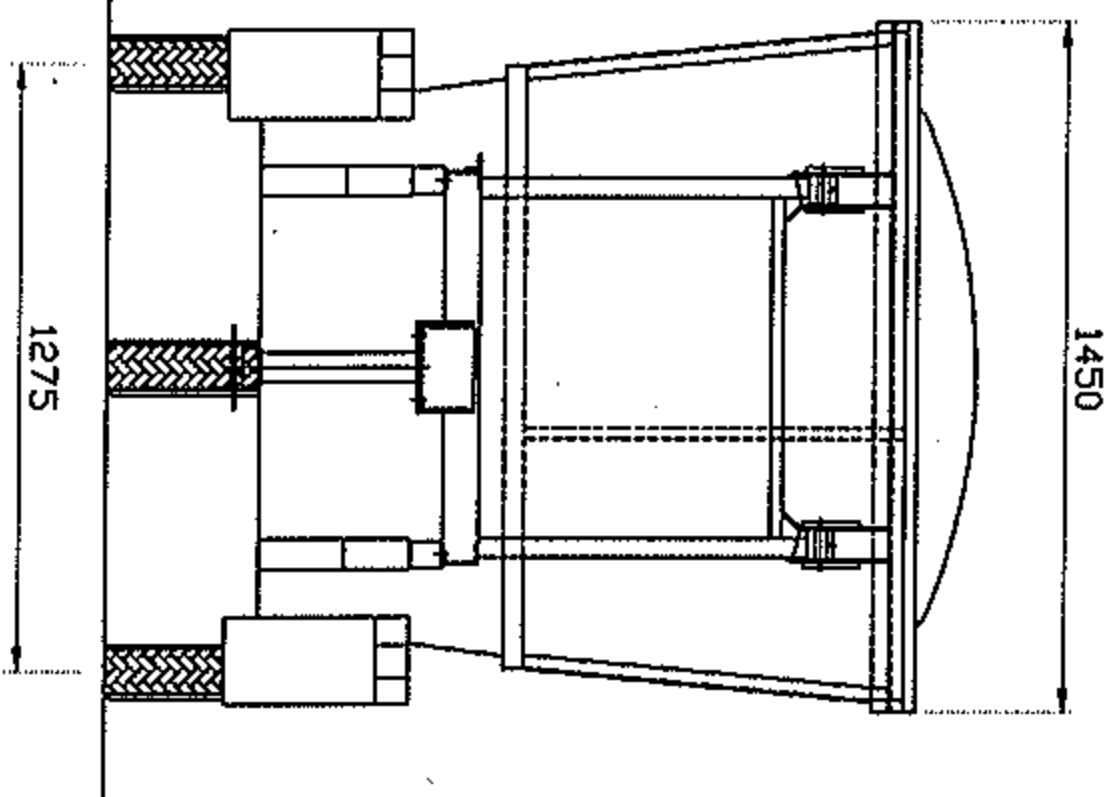
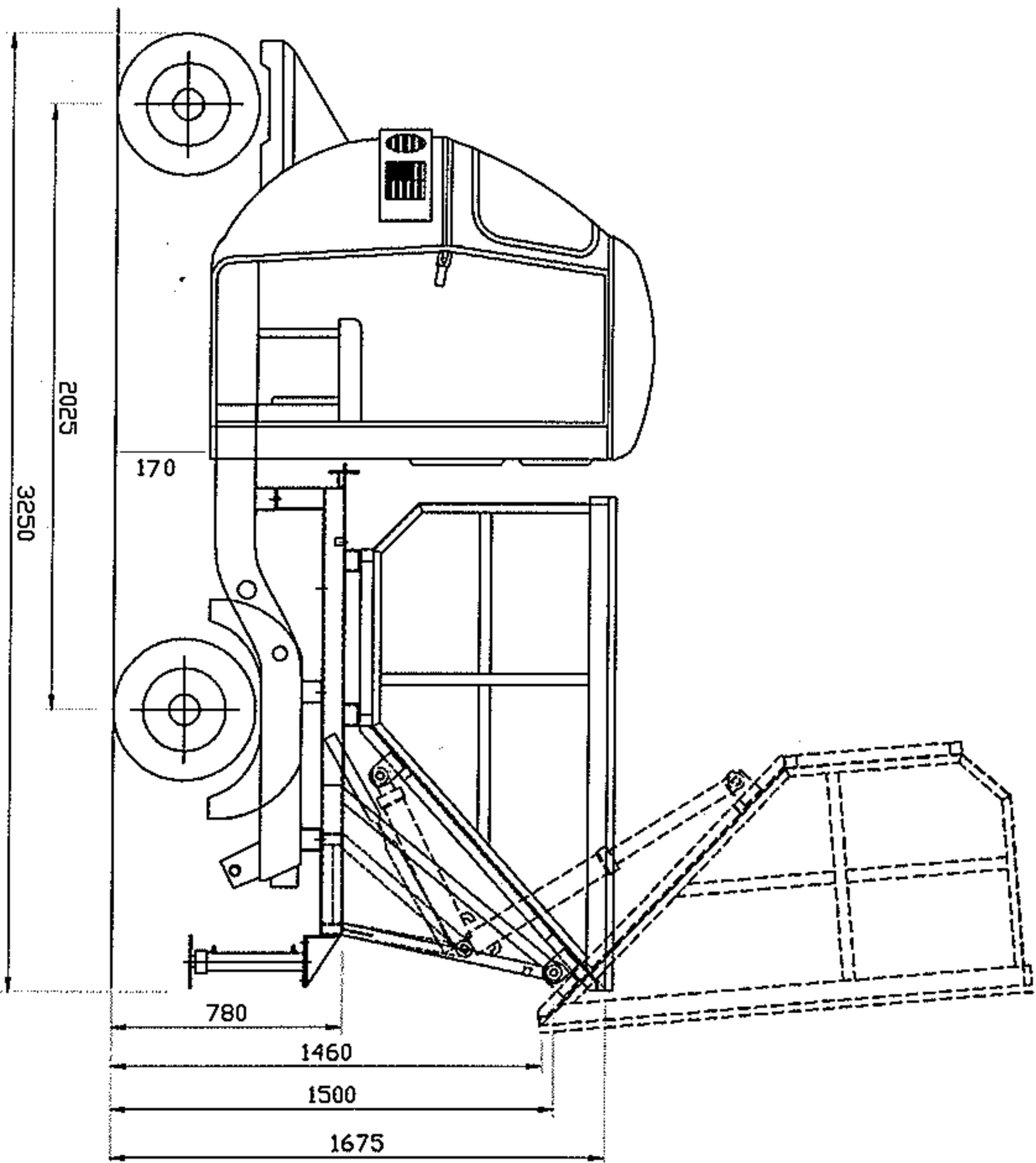


CAPACITY : 12 CUM
MATERIAL
 FLOOR : 16G. MS SHEET
 SIDES : 16G. ALUMINIUM SHEET
 TOP : MS COVER
 PARTITION : 16G. ALUMINIUM SHEET



DRN BY		Auto Tipper (Hydraulic) Two Compartment.
CHD BY		
APD BY		
DATE		
DIMENSIONAL TOLERANCE ±2% APPROX/ IS 2102 AS APPLICABLE		

Mysore City Corporation, Mysore

MAT. : M.S
 SCALE :